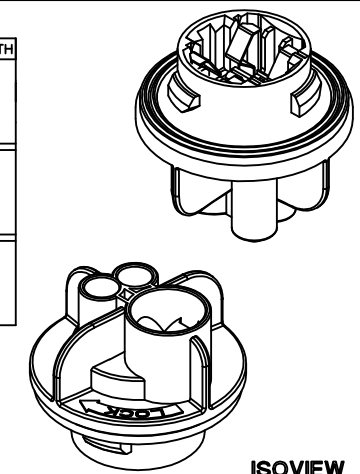
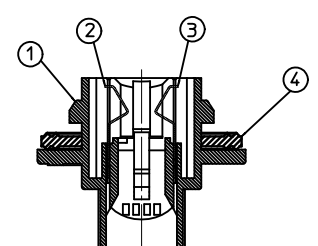
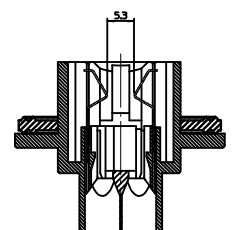
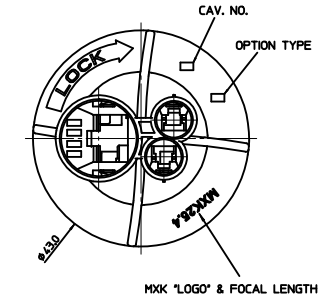
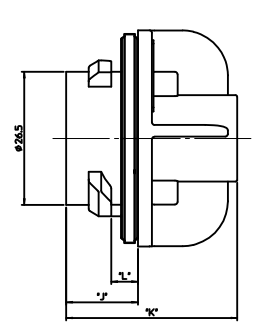


<TABLE 1>

LUG PATTERN	MATERIAL NO.	ORDER NO.	FOCAL LENGTH	LUG PATTERN	MATERIAL NO.	ORDER NO.	FOCAL LENGTH
"A"	104035032*	104035-032*	20.85	"A"	104037032*	104037-032*	29.45
"B"	104035031*	104035-031*		"B"	104037031*	104037-031*	
"C"	104035033*	104035-033*		"C"	104037033*	104037-033*	
"D"	104035034*	104035-034*		"D"	104037034*	104037-034*	
"A"	104036032*	104036-032*	22.35	"A"	104038032*	104038-032*	31.50
"B"	104036031*	104036-031*		"B"	104038031*	104038-031*	
"C"	104036033*	104036-033*		"C"	104038033*	104038-033*	
"D"	104036034*	104036-034*		"D"	104038034*	104038-034*	
"A"	49454032*	49454-032*	25.40	"A"	104039032*	104039-032*	34.90
"B"	49454031*	49454-031*		"B"	104039031*	104039-031*	
"C"	49454033*	49454-033*		"C"	104039033*	104039-033*	
"D"	49454034*	49454-034*		"D"	104039034*	104039-034*	



TYPE  
0-SEALED  
1-UNSEALED

LUG PATTERN  
1 - LUG PATTERN "B"  
2 - LUG PATTERN "A"  
3 - LUG PATTERN "C"  
4 - LUG PATTERN "D"

XXXXXX - XXXXX

MXK SERIES NO.      CIRCUIT NO.

SOCKET COLOR  
0 - NATURAL  
1 - BLACK  
5 - GRAY

ORDER NO.	FOCAL LENGTH	PANEL THICKNESS	SEAL THICKNESS	"L"	"J"	"K"
104035-XXXX	20.85	3.00mm ±0.1	3.8mm	5.90	10.40	34.0
104036-XXXX	22.35	3.00mm ±0.1	3.8mm	5.90	11.80	34.0
49454-XXXX	25.40	2.79mm ±0.1	3.3mm	5.90	14.25	34.0
104037-XXXX	29.45	3.00mm ±0.1	3.8mm	5.90	18.90	35.0
104038-XXXX	31.50	3.00mm ±0.1	3.8mm	5.90	20.95	35.0
104039-XXXX	34.90	3.00mm ±0.1	3.8mm	5.90	24.35	35.0

- <NOTES>
1. APPLICABLE LAMP : P2717W
  2. PART MUST CONFORM TO SAE/USCAR-15.
  3. MATES WITH

DESCRIPTION	MATERIAL	PART NO.	WIRE RANGE
SINGLE TERMINAL	BRASS	49869-9702	0.5~0.85mm <sup>2</sup>
DOUBLE TERMINAL	BRASS	49868-9702	0.5~0.85mm <sup>2</sup>
WIRE SEAL - S	SILICONE	49454-9002	1.8~2.2mm(INS. DIA.)
WIRE SEAL - L	SILICONE	49454-9003	1.8~2.2mm(INS. DIA.)
DUMMY SEAL	SILICONE	49454-9004	-

<PARTS LIST>

NO.	DESCRIPTION	MATERIAL	USAGE	REMARK
④	FLOOR SEAL	SILICONE	1	WHITE
③	LAMP HOLDER-R	SUS	1	UNPLATED
②	LAMP HOLDER-L	SUS	1	UNPLATED
①	S8 BULB SOCKET - D	PPE+PA, GF 30%	1	-
	S8 BULB SOCKET - C	PPE+PA, GF 30%		
	S8 BULB SOCKET - B	PPE+PA, GF 30%		
	S8 BULB SOCKET - A	PPE+PA, GF 30%		

REVISED EC NO: KOR2010-0103 2010/10/27 DRW:NEEKIM 2010/10/28 CHK:BCY00N 2010/10/28 APPR:YUNJIKIM

QUALITY SYMBOLS  
▽=0  
▽=0

GENERAL TOLERANCES (UNLESS SPECIFIED)  
mm INCH  
4 PLACES ± --- ± ---  
3 PLACES ± 0.20 ± ---  
2 PLACES ± 0.20 ± ---  
1 PLACE ± 0.30 ± ---  
ANGULAR ± 1°

DIMENSION STYLE  
MM ONLY

SCALE  
2:1

DESIGN UNITS  
METRIC

THIRD ANGLE PROJECTION

DRAWN BY DATE  
SMK1M 2009/03/17

CHECKED BY DATE  
BCYOON 2009/03/17

APPROVED BY DATE  
EHJUNG 2009/03/17

MATERIAL NO.  
DOCUMENT NO.

SEE TABLE 1

THIS DRAWING CONTAINS INFORMATION THAT IS PROPRIETARY TO MOLEX INCORPORATED AND SHOULD NOT BE USED WITHOUT WRITTEN PERMISSION

TITLE  
SEALED S8 BULB SOCKET - AXIAL TYPE -

MOLEX MOLEX INCORPORATED

SD-49454-001

SHEET NO.  
1 OF 1